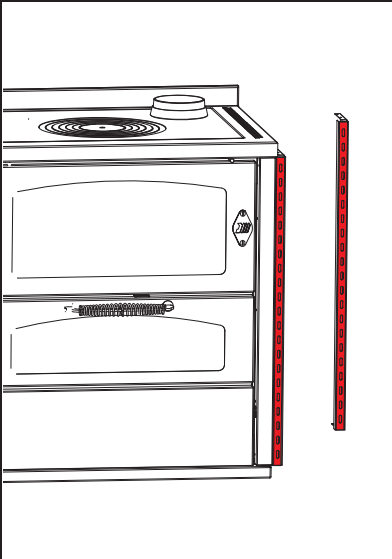
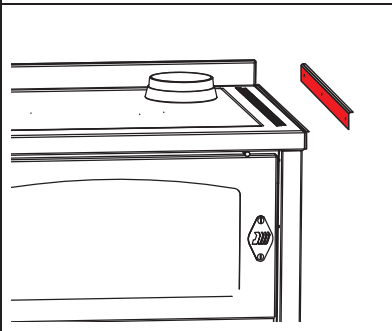
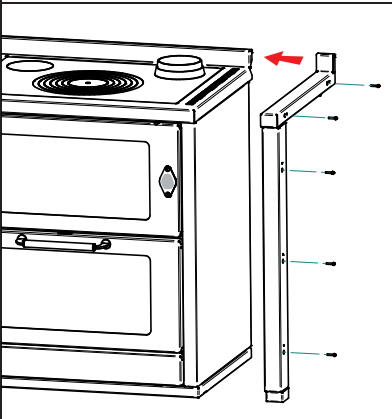


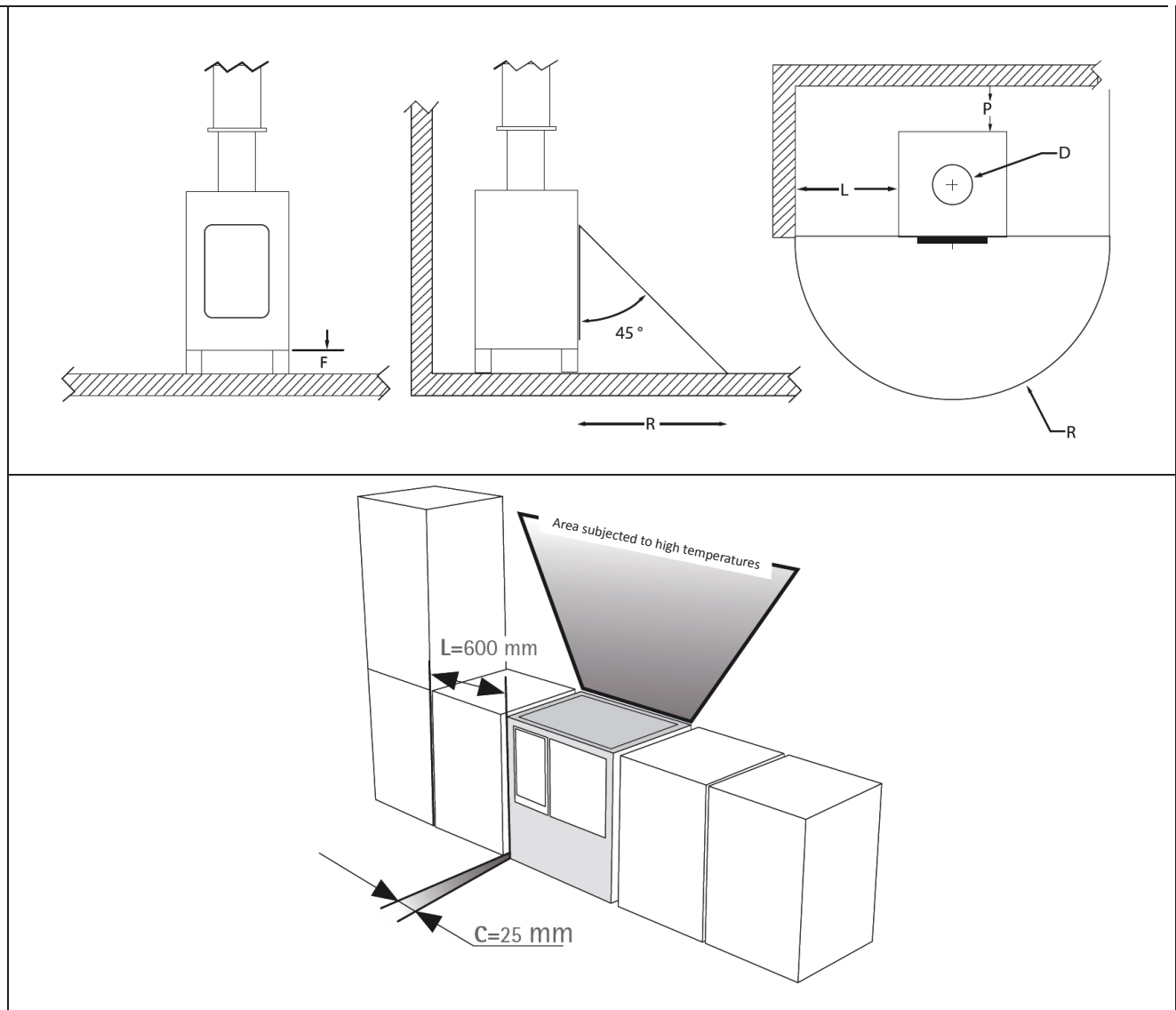
## THERMAL INSULATION AND SAFETY CLEARANCES

Should you wish to place the cooker near a particularly heat-sensitive material, such as laminate furniture, you will have to ensure that you leave an adequate safety clearance between the two.

For the cookers and thermocookers of the Domino and Classica lines that can be built-in, we can provide you with specific side spacers that allow for an easy and safe installation:

	<p>STAINLESS STEEL PERFORATED FRONT SIDE SPACER to fix on the side of the wood cooker. The customer's piece of kitchen furniture will have to be made with a top that is 25mm longer, as to cover the side spacer.</p> <p>CLASSICA SERIES 25 x h720 mm – DOMINO SERIES 25 x h790 mm</p> <p><b>IMPORTANT:</b> Please verify that the furniture maker can provide a unique base for the entire kitchen. If not, De Manincor will have to produce a special wood cooker with a base that is 25 mm longer.</p> <p>Please ensure that you always leave a safety clearance of at least 2mm on each side between the stainless steel top of the wood cooker and the top of the piece of kitchen furniture, as the cooker top may expand as a result of the heat.</p>
	<p>Since stainless steel has a high heat conductivity, should the customer's top of the kitchen furniture not be made out of stone or similar materials, we advise to always place a STAINLESS STEEL PROFILE between the top of the kitchen furniture and the wood cooker top.</p>
	<p>COMPLETE SIDE SPACER that can be between 25 and 100mm wide and is made of:</p> <ul style="list-style-type: none"> <li>-stainless steel TOP with a depth of 600mm (with or without backslash depending on the top of wood cooker)</li> <li>-FRONT of the same height and color as the side of the cooker</li> <li>-stainless steel BASE</li> </ul>

## SAFETY CLEARANCES FROM FLAMMABLE MATERIALS



From the side wall	L	600 mm
From the wall in the back	P	200 mm + reflecting steel plate of 20/10
	P	0 mm + 80 mm calcium silicate fireproof board
From the floor	F	0 mm
From flammable materials	R	>600 mm
Minimum air distance from built-in flammable piece of kitchen furniture (all the way up to the top)	C	25 mm